

ARVAND FAN COIL SABA SERIES



SABA:

ARVAND Floor and Ceiling, Exposed and Concealed Fan Coil

Cooling Capacity from 2.6 to 10.5 kW

Heating Capacity from 7.3 to 28.9 kW

SABA:

ARVAND Floor and Ceiling, Exposed and Concealed Fan Coil
Cooling Capacity from 2.6 to 10.5 kW
Heating Capacity from 7.3 to 28.9 kW



SABA fan coil series: The SABA fan coil series 2-pipe systems manufactured by ARVAND are designed to be used in residential and commercial environment.

This type of fan coils covers air flow ranging from 200 to 1200 CFM.

The SABA fan coils can provide 2.6 to 10.5 kW cooling capacity and 7.3 to 28.9 kW heating capacity. 3 speed low noise fans can provide more cooling and heating capacity control, reduce energy cost and make comfortable environment for residence. ARVAND SABA fan coils are designed with no sharpness corner to eliminate any danger and harm in residential environments.

• Design and manufacturing: SABA fan coils are manufactured by Hydrophilic Aluminum fin & tube coil heat exchanger, 3-speed low noise electromotor and centrifugal fans, cleanable polypropylene or Aluminum filter, high mechanical strength louvered damper, anti-humidification and noise insulation.

Versions:

- 1.Horizontal exposed
- 2.Vertical exposed
- 3.Horizontal concealed
- 4.Vertical concealed

SABA 2.6 - 10.5kW

Airflow:

- 1.Upward flow
- 2.Front flow
- 3.Slop flow

Configurations:

- 1.Downward intake
- 2.Backward intake

Options and Accessories:

- Carbonic filter
- Multifunction Thermostat with IR remote control
On/Off
Automatic fan speed control or set fan speed control
Winter/Summer
Control 3way or 2way valves
Fan coil operating timer
Fast heating
Fast cooling
- Rear intake with oblique or downward filter extraction
- Rear intake with vertical downward filter extraction
- Rear intake with vertical upward filter extraction
- ON/OFF 2 way valves kit
- .3-way valve kit for ON/OFF system
- Support feet for exposed vertical unit
- Air intake plenum with circular fittings and air filter
- .90° air intake plenum
- Air outlet plenum with circular fittings + internal thermal and acoustic insulation
- Terminal plenum with circular connections
- Air supply duct with flexible connection
- Air intake duct with flexible joint
- Air outlet grille without air filter
- Air outlet grille in aluminum without filter
- Return grille with filter
- Air intake grille with air filter
- Manual side air damper
- Condensate drain pump
- Auxiliary condensate collection pan
- Pre-painted panel with supply and return grilles
- Air intake straight plenum

Dimensions and Clearances

Floor Mounting

Exposed

Model SABA	200	300	400	600	800	1000	1200
Length	mm 844	1035	1226	1417	1608	1799	1990
Width	mm 236	236	236	236	236	236	236
Height	mm 651	651	651	651	651	651	651
A1	mm 200	200	200	200	200	200	200
A2	mm 200	200	200	200	200	200	200
B1	mm 250	250	250	250	250	250	250
C1	mm 90	90	90	90	90	90	90
Weight	kg 28	31	37	41	49	55	60

Ceiling Mounting

Exposed

Model SABA	200	300	400	600	800	1000	1200
Length	mm 844	1035	1226	1417	1608	1799	1990
Width	mm 651	651	651	651	651	651	651
Height	mm 236	236	236	236	236	236	236
A1	mm 200	200	200	200	200	200	200
A2	mm 200	200	200	200	200	200	200
B1	mm 90	90	90	90	90	90	90
Weight	kg 28	31	37	41	49	55	60

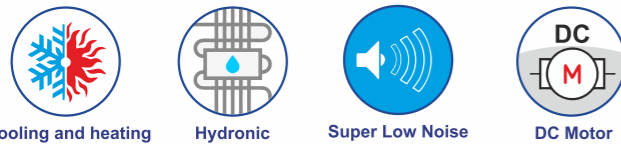
Concealed

Model SABA	200	300	400	600	800	1000	1200
Length	mm 604	795	986	1177	1368	1559	1750
Width	mm 226	226	226	226	226	226	226
Height	mm 576	576	576	576	576	576	576
A1	mm 200	200	200	200	200	200	200
A2	mm 200	200	200	200	200	200	200
B1	mm 250	250	250	250	250	250	250
C1	mm 90	90	90	90	90	90	90
Weight	kg 21	24	29	34	42	47	50

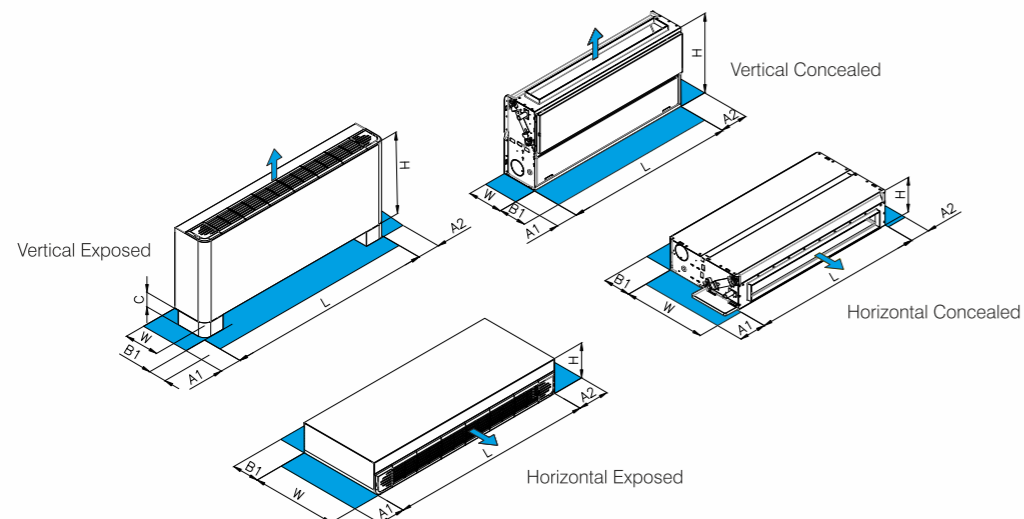
Concealed

Model SABA	200	300	400	600	800	1000	1200
Length	mm 604	795	986	1177	1368	1559	1750
Width	mm 576	576	576	576	576	576	576
Height	mm 226	226	226	226	226	226	226
A1	mm 200	200	200	200	200	200	200
A2	mm 200	200	200	200	200	200	200
B1	mm 90	90	90	90	90	90	90
Weight	kg 21	24	29	34	42	47	50

Functions and Features



Dimensions and Clearances



Technical Data

High Speed

Model SABA		200	300	400	600	800	1000	1200
Nominal Air Flow Rate		m³/hr	505	668	855	1295	1477	1699
Type		#	Sine wave V-Waffle Fin & Tube					
qty.		#	1					
Row/FPI		#/#	2/12					
Cooling Coil	Cooling Capacity(1)	kW	2.6	3.2	4.5	6.7	7.3	8.7
	Sensible Capacity	kW	1.9	2.4	3.4	5	5.6	6.7
	Water Flow Rate	l/h	443	549	773	1144	1255	1500
	Water Pressure Drop	mH2O	3.2	0.8	1.9	4.5	2.8	4.4
Type		#	Sine wave V-Waffle Fin & Tube					
qty.		#	1					
Row/FPI		#/#	2/12					
Heating Coil	Heating Capacity	kW	7.3	9.8	12.7	18.6	21.0	24.3
	Water Flow Rate	l/h	645	863	1123	1636	1850	2150
	Water Pressure Drop	mH2O	4.4	1.3	2.7	6.0	4.1	6.0
	Type	#	Centrifugal					
qty.		#	1	1	2	2	3	4
Motor	Type	#	AC Motor					
	qty.	#	1	1	1	1	2	2
Power Input (3)		W	25	25	26	37	55	55
Sound Power Level(4)		dB	40	49	54	58	59	60
Sound Pressure Level(5)		dBA	23	32	37	41	42	43
Electrical	Power Supply	V/Ph/Hz	220/1/50					

Note:

- 1-Cooling rating was based on water temperature (in/out):7°C / 12°C, Inlet air temperature (db/wb): 26.7°C / 19.4°C.
- 2-The SABA series fancoil designed by same heating and cooling coil.
- 3-Standard motor power are based on nominal air flow.
- 4-Sound power level on the basis measurements made in compliance with ISO 9614 and EUROVENT certified units; in compliance with ISO 3744 for non-certified units.
- 5-Average Sound pressure level, at 10 meter distance.

SABA

Medium Speed

Model SABA		200	300	400	600	800	1000	1200	
Nominal Air Flow Rate	m ³ /hr	404.4	582.8	783.2	958.2	1121.3	1263.2	1806.7	
Cooling Coil	Type	# Sine wave V-Waffle Fin & Tube							
	qty.	# 1							
	Row/FPI	#/# 2/12							
	Cooling Capacity(1)	kW	2.3	3.0	4.3	5.8	6.4	7.6	9.9
	Sensible Capacity	kW	1.7	2.3	3.2	4.2	4.8	5.6	7.5
	Water Flow Rate	l/h	443	549	773	1144	1255	1500	1800
Water Pressure Drop	mH2O	3.2	0.8	1.9	4.5	2.8	4.4	6.7	
Heating Coil	Type	# Sine wave V-Waffle Fin & Tube							
	qty.	# 1							
	Row/FPI	#/# 2/12							
	Heating Capacity	kW	6.2	8.9	12.0	14.9	17.2	19.6	26.6
	Water Flow Rate	l/h	645	863	1123	1636	1850	2150	2550
	Water Pressure Drop	mH2O	4.4	1.3	2.7	6.0	4.1	6.0	9.2
Fan	Type	# Centrifugal							
	qty.	# 1 1 2 2 3 3 4							
Motor	Type	# AC Motor							
	qty.	# 1 1 1 1 2 2 2							
	Power Input (3)	W	25	25	26	37	55	55	60
Sound Power Level(4)		dB	35	40	47	51	49	51	53
Sound Pressure Level(5)		dBA	18	23	30	34	32	34	36
Electrical	Power Supply	V/Ph/Hz	220/1/50						

SABA

Low Speed

Model SABA		200	300	400	600	800	1000	1200	
Nominal Air Flow Rate	m ³ /hr	326.0	437.0	557.0	712.0	799.0	1020.0	1615.0	
Cooling Coil	Type	# Sine wave V-Waffle Fin & Tube							
	qty.	# 1							
	Row/FPI	#/# 2/12							
	Cooling Capacity(1)	kW	2.1	2.7	3.7	4.9	5.4	7.6	9.4
	Sensible Capacity	kW	1.5	1.9	2.6	3.5	3.9	5.6	7.0
	Water Flow Rate	l/h	443	549	773	1144	1255	1500	1800
Water Pressure Drop	mH2O	3.2	0.8	1.9	4.5	2.8	4.4	6.7	
Heating Coil	Type	# Sine wave V-Waffle Fin & Tube							
	qty.	# 1							
	Row/FPI	#/# 2/12							
	Heating Capacity	kW	5.3	7.1	9.2	11.9	13.3	19.7	24.5
	Water Flow Rate	l/h	645	863	1123	1636	1850	2150	2550
	Water Pressure Drop	mH2O	4.4	1.3	2.7	6.0	4.1	6.0	9.2
Fan	Type	# Centrifugal							
	qty.	# 1 1 2 2 3 3 4							
Motor	Type	# AC Motor							
	qty.	# 1 1 1 1 2 2 2							
	Power Input (3)	W	25	25	26	37	55	55	60
Sound Power Level(4)		dB	29	34	43	45	46	47	48
Sound Pressure Level(5)		dBA	12	17	26	28	29	30	31
Electrical	Power Supply	V/Ph/Hz	220/1/50						

Note:

- 1-Cooling rating was based on water temperature (in/out):7°C / 12°C, Inlet air temperature (db/wb): 26.7°C / 19.4°C and 2 Row/ 12 FPI cooling coil.
- 2-The SABA series fancoil designed by same heating and cooling coil.
- 3-Standard motor power are based on nominal air flow.
- 4-Sound power level on the basis measurements made in compliance with ISO 9614 and EUROVENT certified units; in compliance with ISO 3744 for non-certified units.
- 5-Average Sound pressure level, at 10 meter distance.