

ADF :
Ducted-Type indoor installation
Cooling and Heating
Capacity 3.85 to 19Kw

ADF :

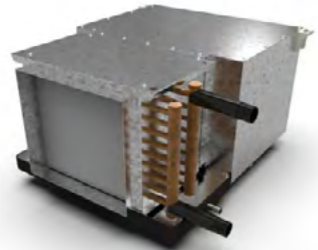
Ducted-Type indoor installation
Cooling and Heating
Capacity 3.85 to 19Kw

ADF 1000 to 3400 m³/hr.

Unit Description

ARVAND ADF series ducted fan coil nits offer design and equipment location flexibility.

- Choice of 4 models, each available in 8 sizes
- For - 2 pipe and electric heat systems with optional factory furnished controls.
- Up to 0.4 inwg duct static with some models.
- -4 pipe units are available in all sizes.



Technical Data:

Model ADF		06	08	10	12	14	16	18	20	
Nominal Air Flow Rate		m ³ /hr	1020	1360	1700	2040	2380	2720	3060	3400
Cooling Coil	Type	#	Sine wave V-Waffle Fin & Tube							
	qty.	#	1							
	Row/FPI	#/#	4 / 8							
	Cooling Capacity(1)	kW	3.85	5.84	7.9	10	12.36	14.6	16.8	19
	Water Flow Rate	l/h	660	1000	1300	1700	2100	2500	2900	3200
Water Pressure Drop	m H2O	0.2	0.5	0.9	1.5	2.6	3.8	5.3	7.0	
Heating Coil	Type	#	Sine wave V-Waffle Fin & Tube							
	qty.	#	1							
	Row/FPI	#/#	4 / 8							
	Heating Capacity(2)	kW	14.8	19.8	24.8	30.0	35.0	40.0	46.0	51.0
	Water Flow Rate	l/h	1300	1700	2200	2600	3100	3500	4000	4500
Water Pressure Drop	m H2O	0.5	0.9	1.5	2.3	3.6	5.1	6.9	9.1	
Fan	Type	#	Centrifugal							
	qty.	#	1	1	1	1	1	2	2	2
	Maximum Speed	RPM	1100							
Motor	Type	#	AC Motor							
	qty.	#	1	1	1	1	1	2	2	2
	Power Input (3)	W	450	450	450	450	450	900	900	900
Electrical	Power Supply	V/Ph/Hz	220/1/50							

Note:

- 1-Cooling rating was based on water temperature (in/out):7°C / 12°C, Inlet air temperature (db/wb): 26.7°C / 19.4°C and 2 Row/ 12 FPI cooling coil.
- 2-Heating rating was based on inlet water temperature: 80°C outlet water temperature: 70°C, inlet air temperature db: 20°C
- 3-Standard motor power are based on nominal air flow in 75mm H2O total static pressure drop
- 4-Sound power level on the basis measurements made in compliance with ISO 9614 and EUROVENT certified units; in compliance with ISO 3744 for non-certified units.
- 5-Average Sound pressure level, at 10 meter distance.

Functions and Features



Cooling and heating

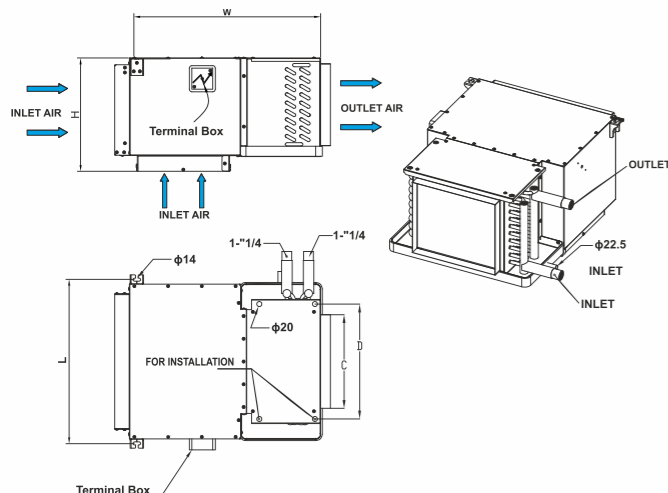


Hydronic



Indoor Installation

Dimensions and Clearances



Model ADB	06	08	10	12	14	16	18	20	
Length	mm	650	752	854	981	1108	1235	1362	1464
Width	mm	853	853	853	853	853	853	853	853
Height	mm	448	448	448	448	448	448	448	448
A1	mm	200	200	500	500	500	500	500	500
A2	mm	400	400	500	500	500	500	500	500
Weight	kg	47	51	53	61	64	83	88	93

Model ADF	06	08	10	12	14	16	18	20	24	
Length	mm	650	752	854	981	1108	1235	1362	1464	1666
Width	mm	795	795	795	795	795	795	795	795	795
Height	mm	448	448	448	448	448	448	448	448	448
A1	mm	200	200	500	500	500	500	500	500	500
A2	mm	400	400	500	500	500	500	500	500	500
Weight	kg	47	51	53	61	64	83	88	93	106.8